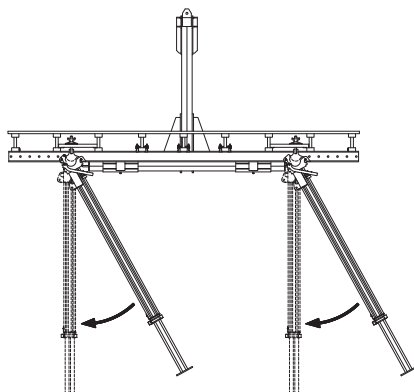
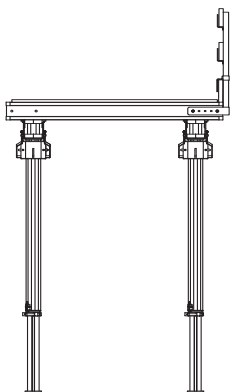
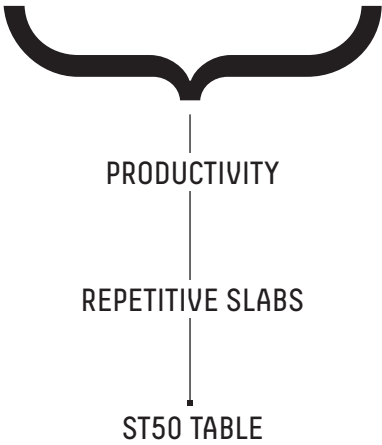




SLABS ST50 TABLE

 Made in Italy





ST50 TABLE

It is a modular system with large surface for slabs cast in place which can be handled by a compensator.

The ST50 tables are suitable for casting monolithic slabs with large surfaces with standard and repetitive geometries. The low weight and large reinforced areas allow for high productivity.

The ST50 tables consist of four telescopic props, steel or aluminium mode, constrained to the two main wooden beams with a connection rotating head. The secondary frame consisting of PL 20 beams and a counter casting surface in plywood or "yellow" panels is placed on the main beams.

The translation of individual tables requires the use of an equalizing bar with only one lift of the crane.

TABLE DIMENSIONS

- 2,5x5 m
 - 2x5 m
 - 2,5x4 m
 - 2x4 m
- Variable height depending on the prop

